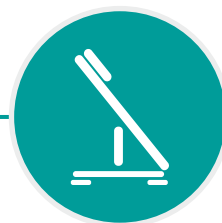


Tilt Test [TTPD2 A/V]

Innovation and technology for an artfully designed device



TILT TEST

Frequent usage

Cardiology

Syncope unit





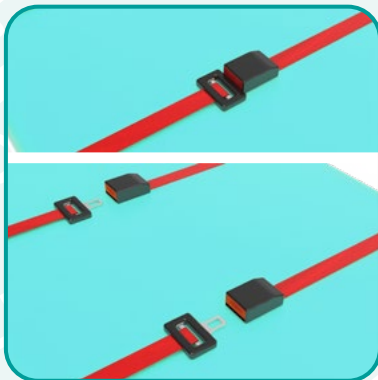
DIGITAL SCREEN. IT DISPLAYS THE ANGLE OF THE TILT WITH ACCURACY



FOOTSWITCH FOR THE ANGLE ADJUSTMENT



WHEELS FOR TRANSPORT AND FEET TO GROUND THE DEVICE



SAFETY BELTS WITH QUICK RELEASE



QUICK RELEASE LEVER



EMERGENCY BUTTON WITH LUMINOUS LED FOR QUICK RELEASE, (TTPE)

Benefits

- Motorized table, normally used for the passive postural variation or Tilt test. It is further used in physiotherapy, rehabilitation, ultrasound examinations and wherever optimal postural condition for patient examination are needed.
- Frame made with thick steel, CNC processed and painted in polyester powder.
- The coating of the bed is made of leatherette material washable and completely sanitizable with common detergents and surgical medical devices. Fabric designed and certified with antibacterial and antifungal properties. Pleasant to the touch and extremely resistant, it has elastic properties and follows the physiological thermoforming of the cushions. Available in a wide assortment of colors as per sample.
- Padding in washable polyurethane foam.
- Footrest integrated to the structure with semi-rigid base with PVC protection.
- A powerful low voltage motor operated with foot controls ensures the adjustment of dynamic table. Two gas springs that follow the rotation of the dynamic table ensuring a quick and accurate postural adjustment with no quick acceleration.
- This medical device is also equipped with adjustable height table, with motorized columns.
- The table TTPD2 A/V is equipped with two systems for the quick release in supine position. The first safety device is connected to the motor and it is activated through a light pressure of a lever, allows the quick return of the table to the horizontal position. The second safety system is fully electric. It ensures, through an emergency button, the automatic release of the table in supine position (see accessory TTPE).
- The dynamic plane TTPD2 A/V can be operated via a dual pedal remote control. Connected to the device by means of a flexible cable of wide range, the impulse controls, ensure the management of movements. A slight pressure on the first pedal, allows you to adjust the rotation of the plane. The second pedal is reserved to vary the height. Both pedals are robust construction and protected by ABS covers. The presence of pictograms on the covers, makes safe, simple and intuitive use of the device. Due to the geometry of the movements, the postural variation of the plane is sequential to its elevation.
- The medical tilt test device is also available in the fixed height version.

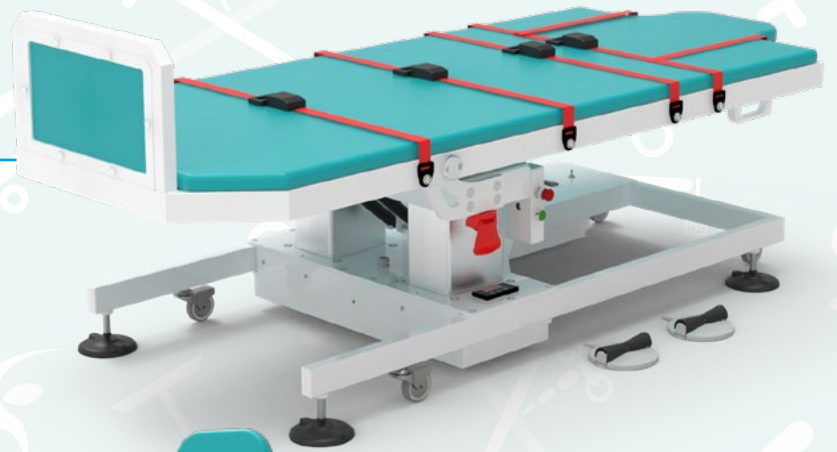
Standard features

- Swivelling wheels for transport.
- Parking and leveling feet.
- Linear actuator for the movement of the lying surface.
- Shock absorbing device.
- Lowered mattress with high density foam and antibacterial and antimycotic fabric.
- Upholstery: with anti-bacterial properties, flame retardant class 1M, antimycotic, ecologic, latex free, phtalate free. Resistant to: alcohol, sodium hypochlorite max 5%, a wide range of common used detergent, liquid and other biological fluids. - Equipment code AC87/1.
- Digital display of tilt angle, accuracy one degree.
- Electro-mechanical quick release in case of power failure.
- Handle.
- Safety belts with quick release - as per cover image..
- Double footswitches with flexible cable.
- Predisposition for accessories.
- Thermal overcurrent circuit breaker.
- Equipotential node.
- Speed during upward movements 10° every 2.5"
- Speed during downward movements 10° every 1.75"
- Height variable from mm 528 to mm 928 or from 560 to 860 (with extra stroke accessory code TTXC)..
- Quick release lever - rapid descent of the floor in 2"
- Emergency button with luminous led for quick release at 0° position, clinostatism (TTPE).

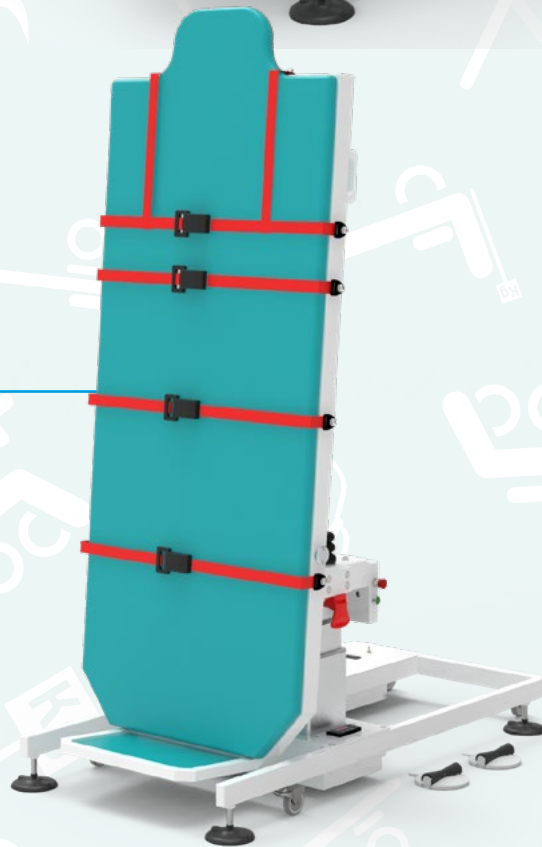


Movements

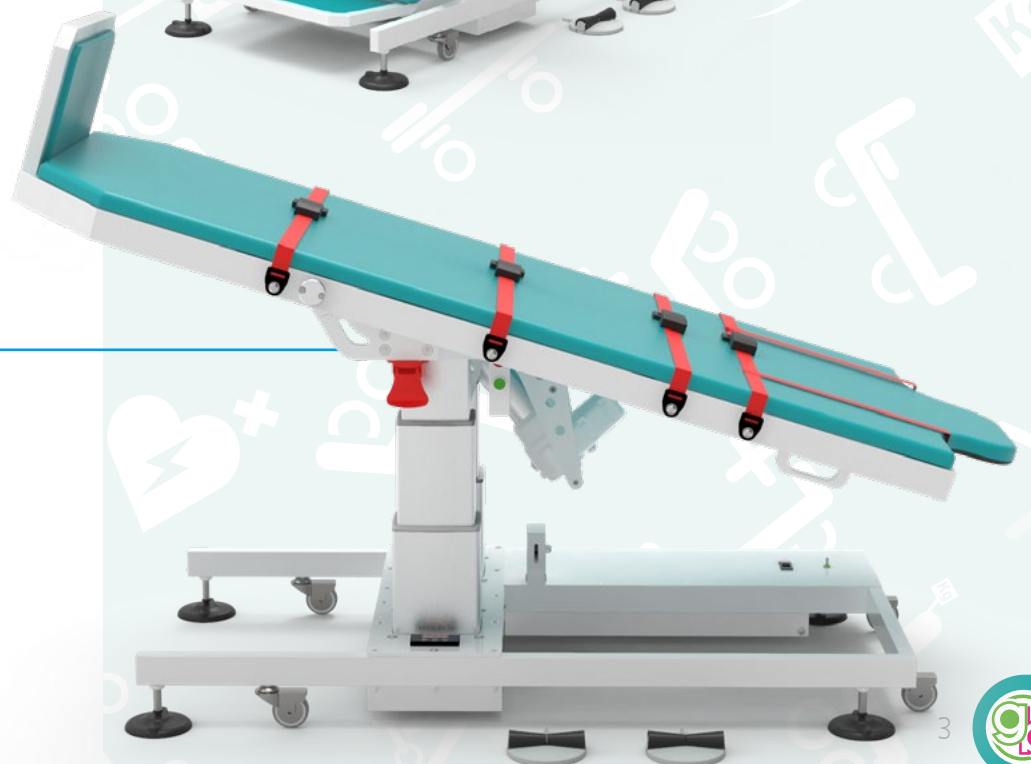
CLINOSTATIC POSITION



ORTHOSTATIC POSITION MAX 85°

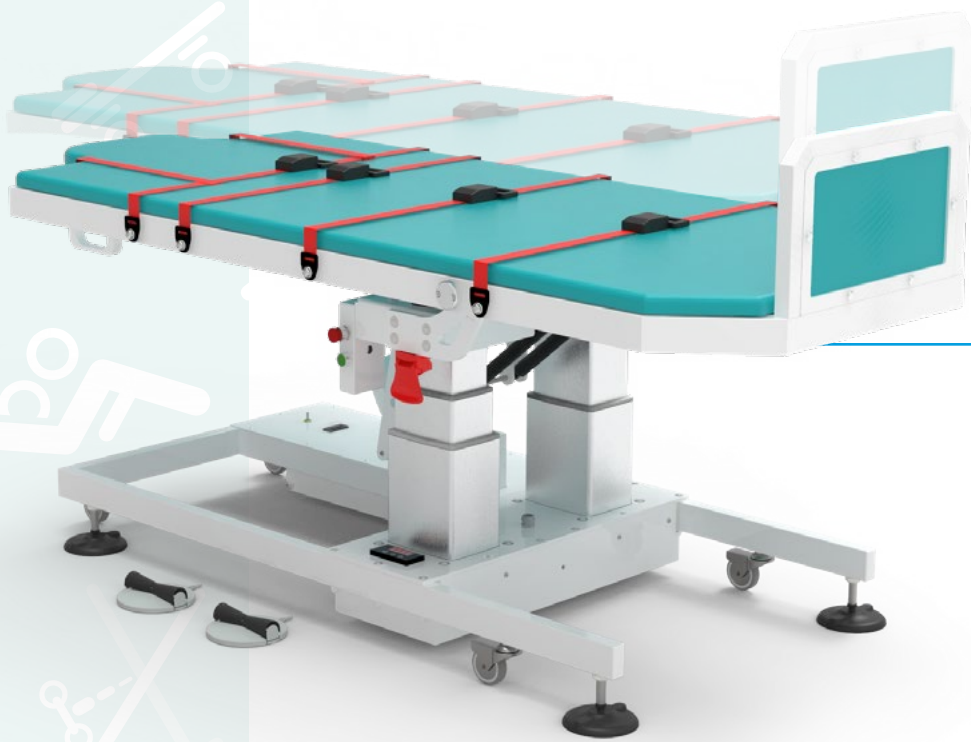
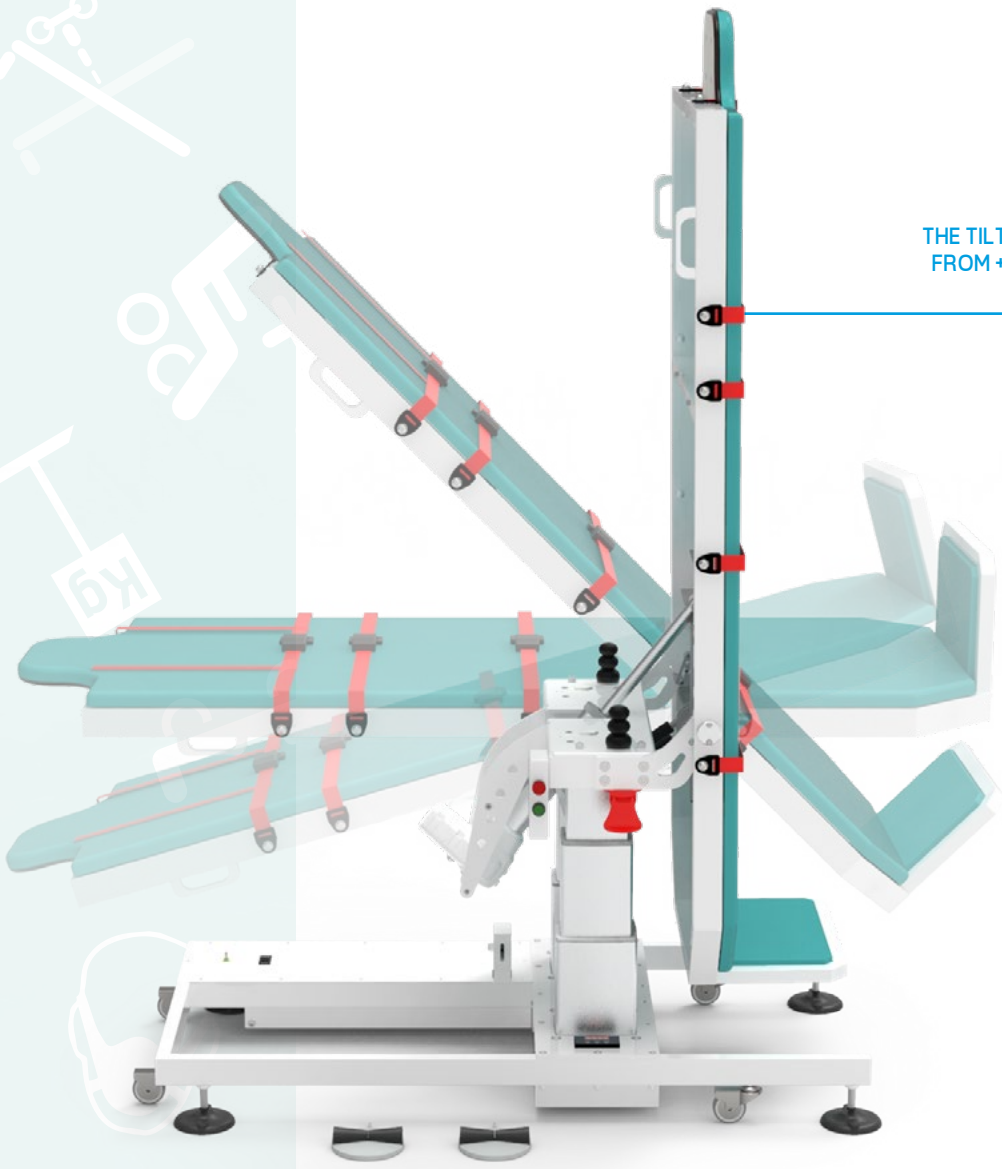


TRENDELENBURG - 20°



Movements

THE TILT TABLE TEST HAS A HIGH RANGE FROM +85* (UPRIGHT POSITION) UP TO -20 (TRENDELENBURG)



ADJUSTABLE HEIGHT



Recommended accessories



TTSP



Sliding, tiltable and height adjustable armrest.

TTPR



Motorized adjustable footrest.

TTUP



Safety belts for paediatric use.

TTAF



IV pole on wheels.



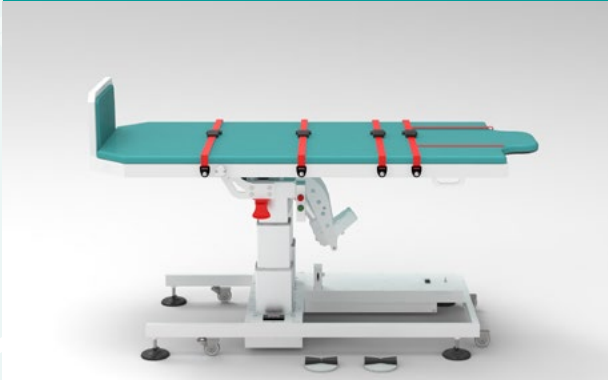
Would you like to customize upholstery or frame?

Scan or click the QR code and discover how to customize the device consulting our colour chart.

Recommended accessories



TTXC



Extra stroke for height adjustment from 560 mm to 860 mm.

TTSV

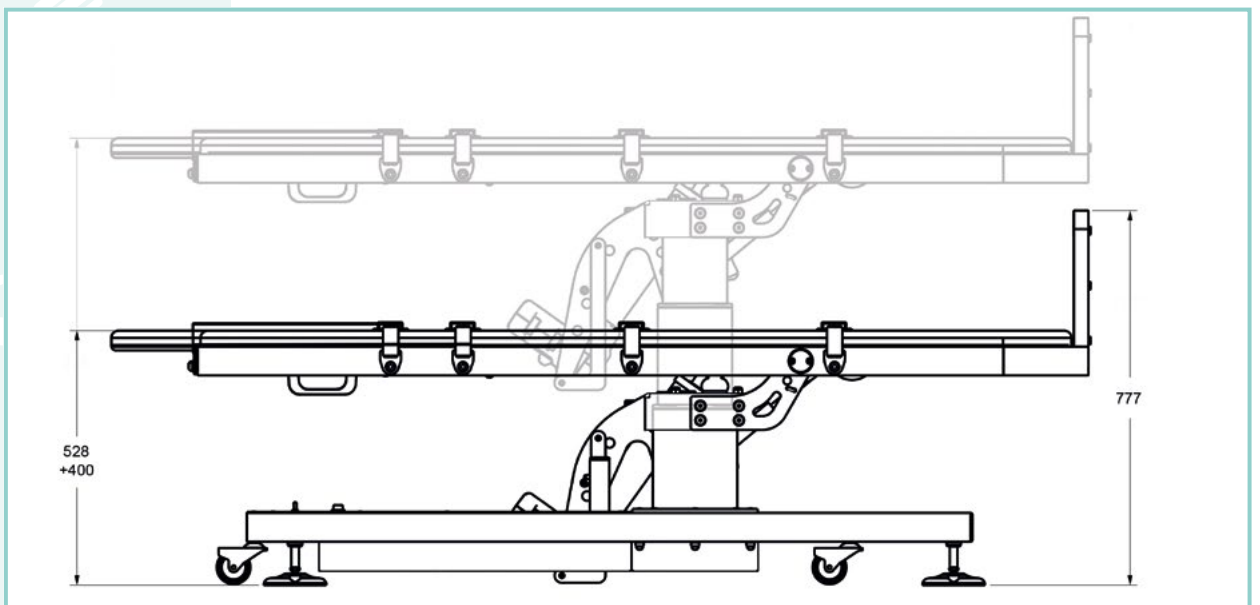
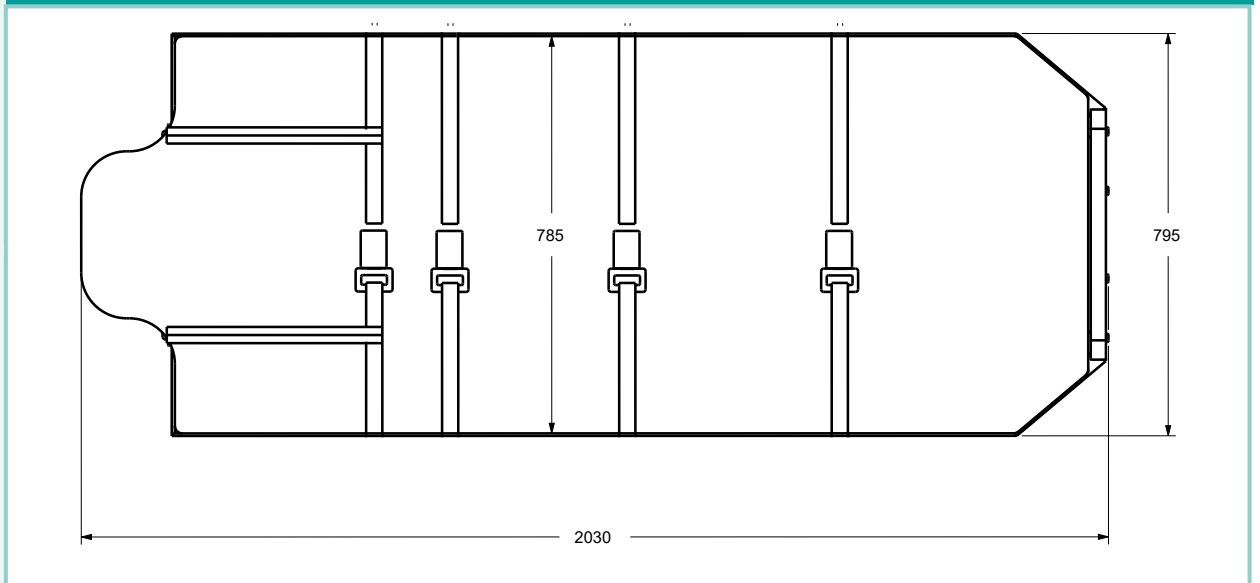


Speed version equipped with 2 motors. They increase the speed of the movements. Nominal speed uphill 10° each 1.5"; Nominal downhill speed without quick release 10° every 0.7".

Dimensions



Standard Version



Technical sheet

GMDN Code	42577
ID Code	GB0031.SP
Intended use	Tilt test
Manufacturer	GARDHEN BILANCE SRL
Total weight	150 kg
Maximum load capacity	160 kg
Wheels	N. 4 swivelling Ø 60 mm
Parking and positioning	Through adjustable feet
Power	230 V / 50-60 Hz
Absorption	450 W
Insulation	IP 54
Temperature	-10° +40°
Nominal speed during upward movement	10° every 2.5"
Nominal speed during downward movement without quick release lever	10° every 1.75"
Nominal speed during upward movement with accessory TTSV	10° every 1.5"
Nominal speed during downward movement with accessory TTSV without quick release lever	10° every 0.7"
Nominal speed during downward movement with quick release lever	2" - Standard features
Separation from main	Through thermal overcurrent circuit breaker
Equipotentiality	Equipotential node
Safety	<ul style="list-style-type: none"> • Electromechanical device for quick release of the table, without voltage. • Thermal protection. • Safety nuts. • No° 3 adjustable safety belts with quick release for children and adults.
Degrees displaying	Through digital led display (Digit ht: 20 mm)
Max force	7000 N
Comands	Controls double footswitch
Ortostatic movement	+85°
Trendelenburg position	-20°

MAIN CORD



Type F - Schuko



Type L - 16A



Type I - Australia



Type B - Canada and USA



Type G - UK plug

For certifications please refer to "Certifications and Quality system" section

Pictures contained in this brochure is for illustrative purpose only. The manufacturer reserves the right to modify the projects without notice. For accessories identification please refer to the accessory catalogue or commercial offer. When data are different please refer to commercial offer.

Dep. EN_79 rev. 27/06/2022