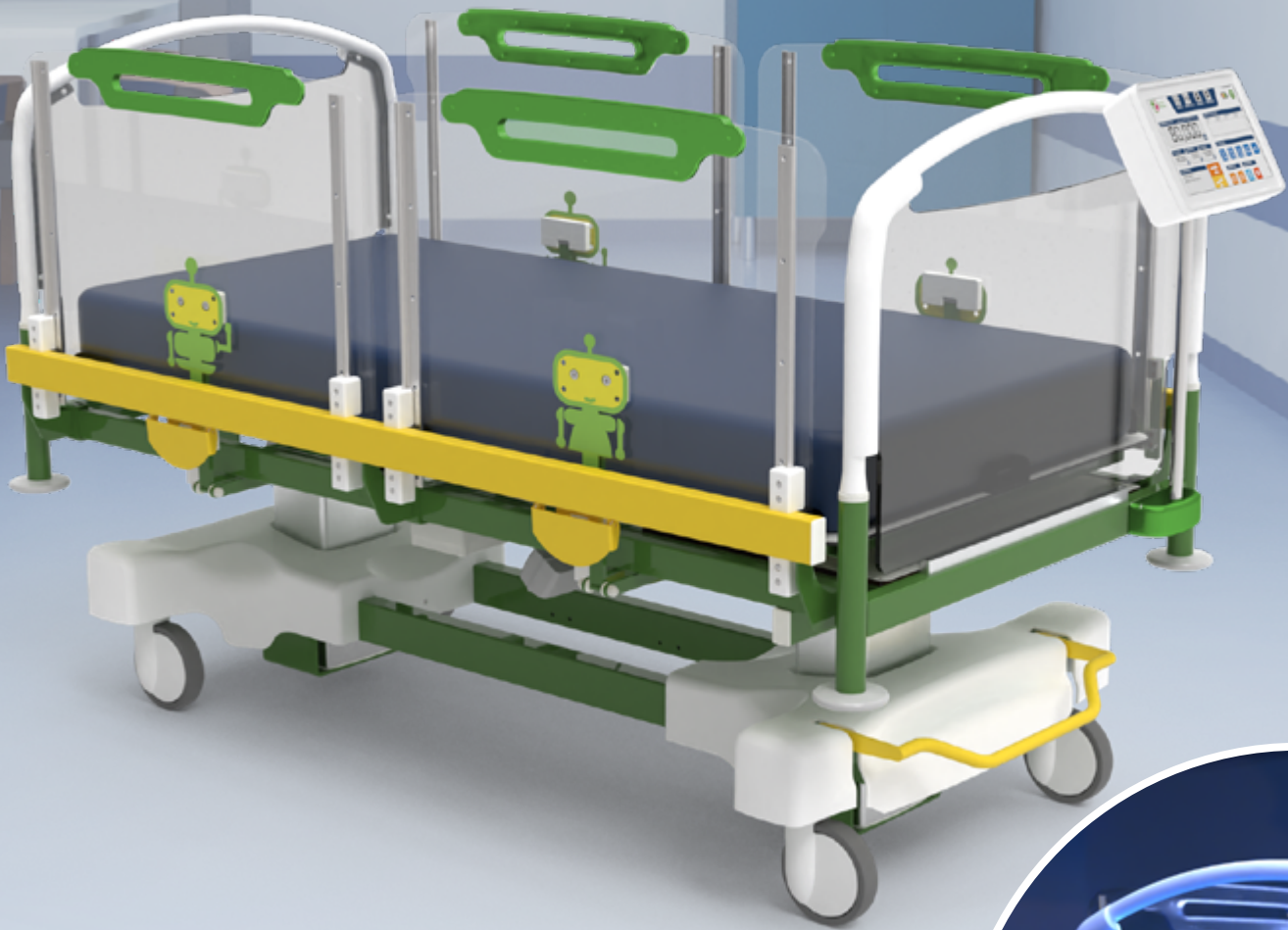


Mosè Mini

Paediatric bed



ALL CLINICAL AREAS



9 NOVELTIES



total
VISION

Safety and well-being



gardhen
balance

www.gardhenbalance.it



Standard equipment

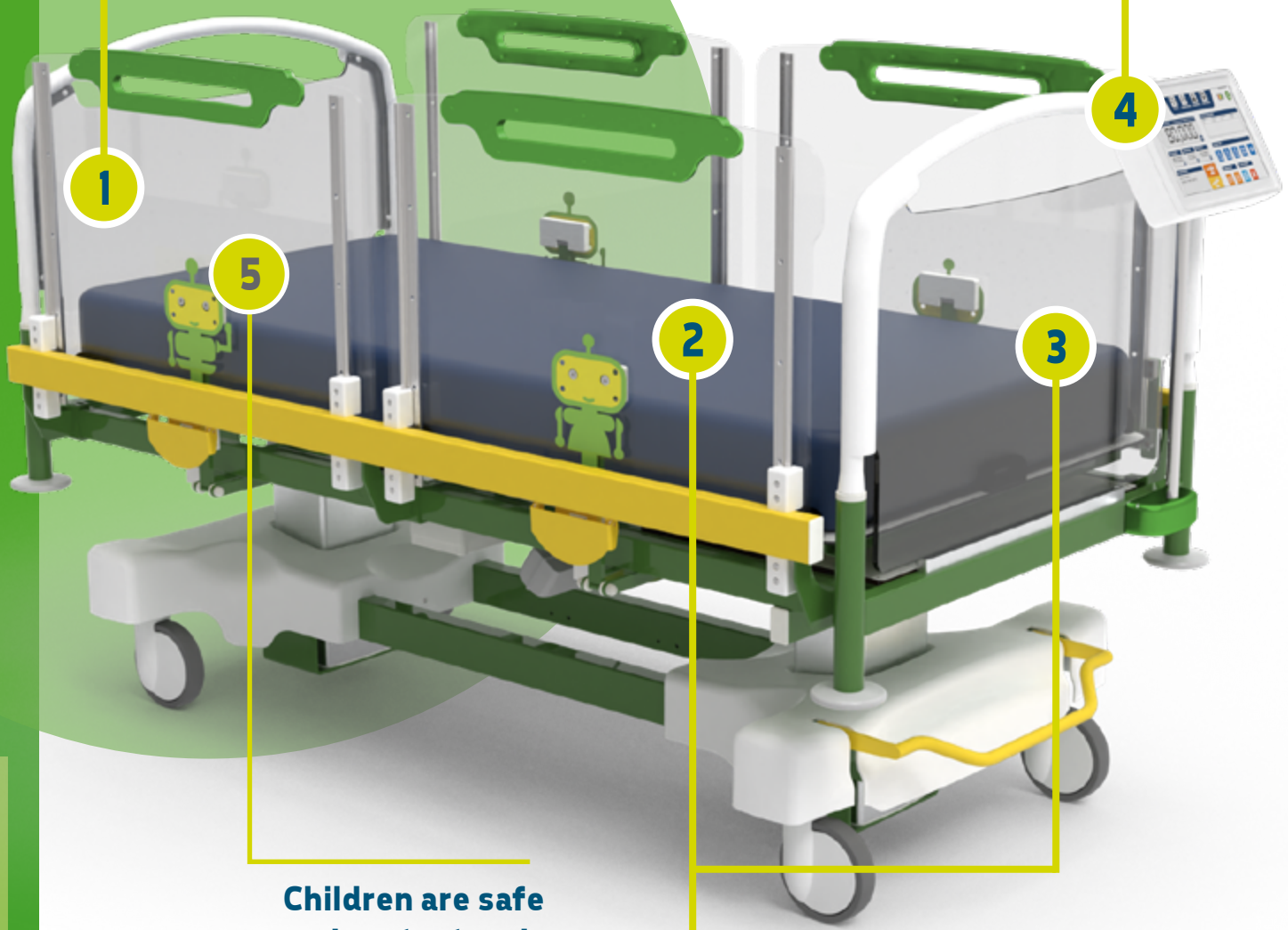
9 NOVELTIES

total VISION

The transparent plexiglass bed frames of the 'Total Vision' system ensure continuous monitoring and facilitated interaction between the child and the caregivers, thus improving the effectiveness and safety of therapy.

Display - GB Touch screen
movements and lights managing
through a single panel

Side rails'
cushioned descent
and assisted raise



Children are safe
and protect and
not in a cage

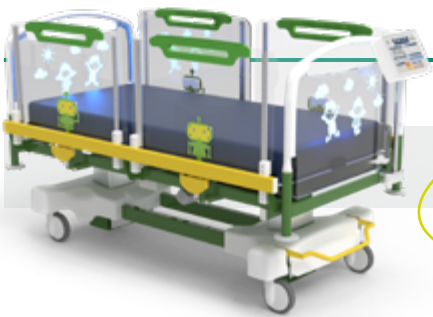
See-through head and foot panels
to keep the little patients always
under control





9 NOVELTIES

Accessory



LIGHT EFFECT

Head and foot panels equipped with colorful lights with different intensity. Lights brightness can be adjusted through the Touch screen



Customisation of shoulders

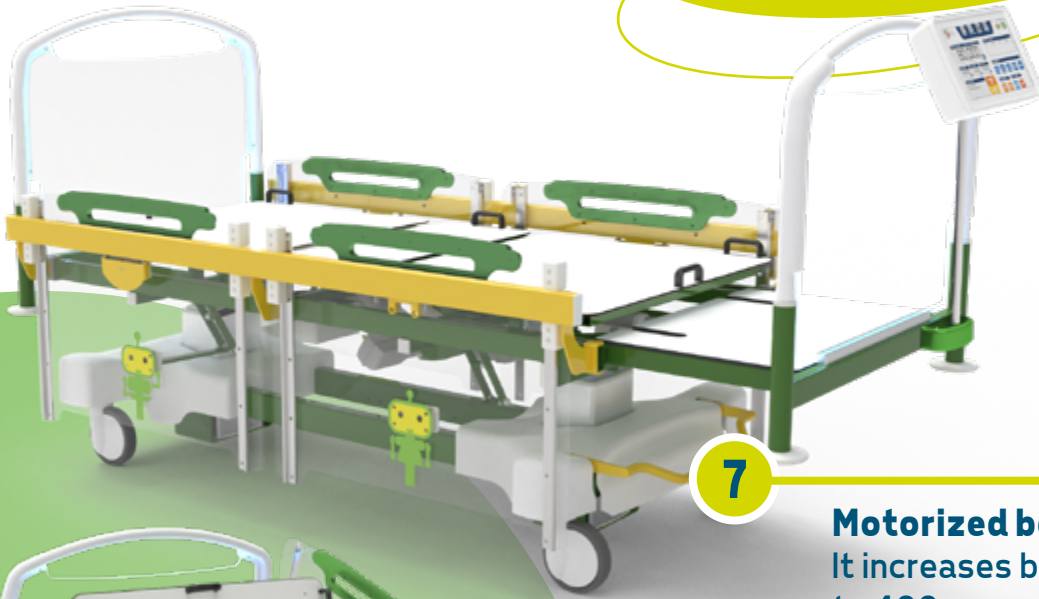
Accessory AC185 is available with the following drawings. Customizations are also available.





Standard equipment

NOVELTY



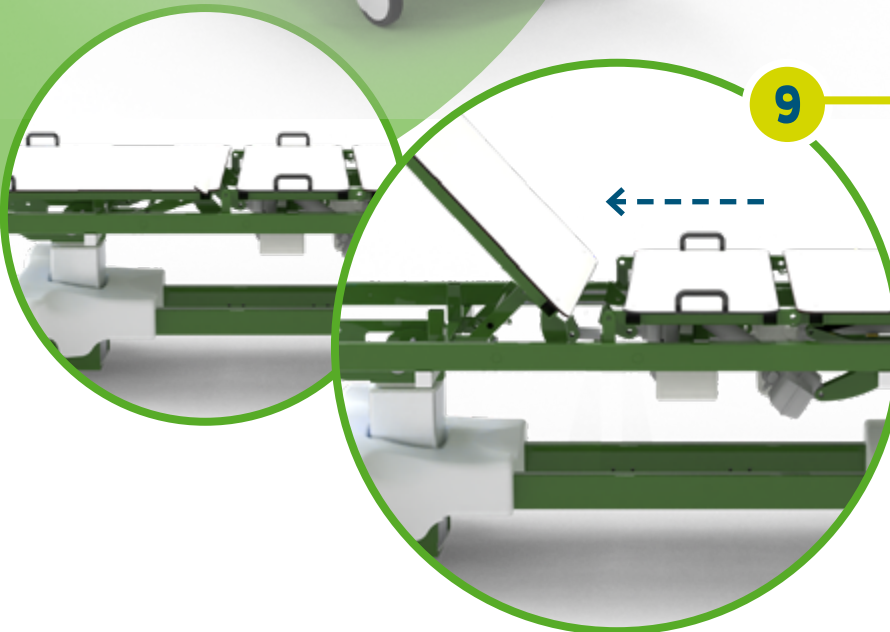
7

Motorized bed extension.
It increases bed length up to 400 mm



8

Seat/Chair Cardiological Chair
obtained by means of the special control on the display
GB Touch console



9

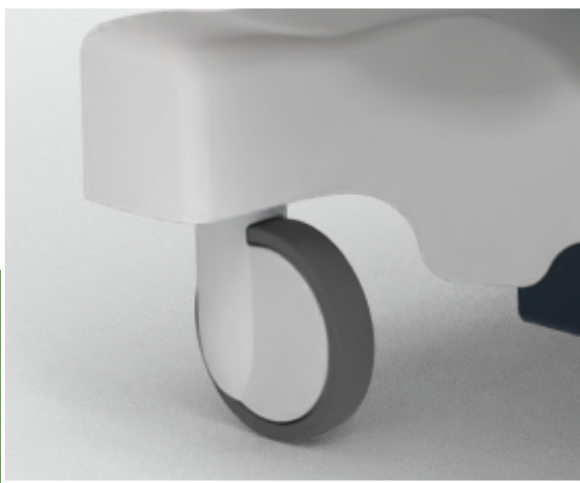
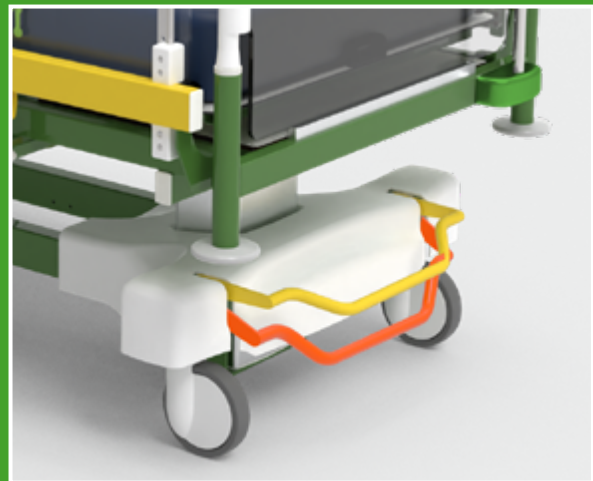
Rototranslation of the backrest
for the limitation of abdominal compression





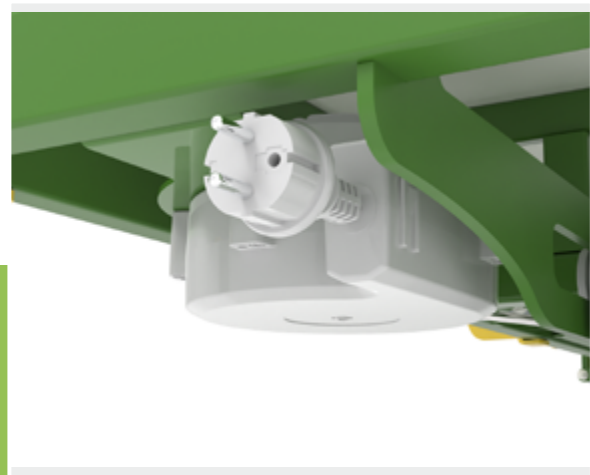
Centralized brake and directional system

Activated through a foot bar that is easy to reach. It allows to brake all the wheels simultaneously and make it easier to drive the bed around. Equipment code AC7L2G



Wheels

No.4 stainless, swivable and non-marking wheels. Diam 150mm



Cable support

Located at head end



Hooks for bags

Located on the frame



Handset with 10 push-buttons

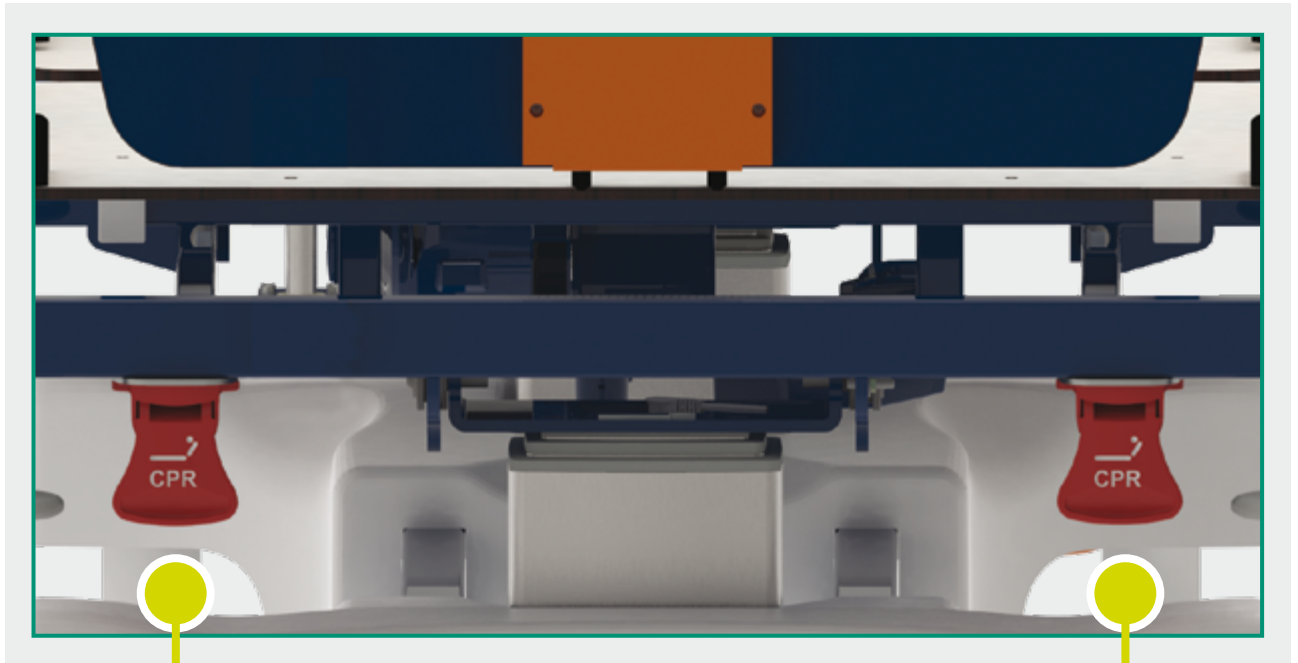




Movements

Backrest quick release

The medical device is equipped with a manual lever control (there are two levers) needed to unlock the backrest in case of a CPR emergency manoeuvre. Furthermore, the automatic "CPR position" can be activated via the GB Touch display - console. This function is easy to be performed by the operator to obtain the emergency position and start cardiopulmonary resuscitation activities. Equipment code AC8L.



CPR Control

Manual activation through lever

Automatic CPR control

Activated through display - GB Touch screen

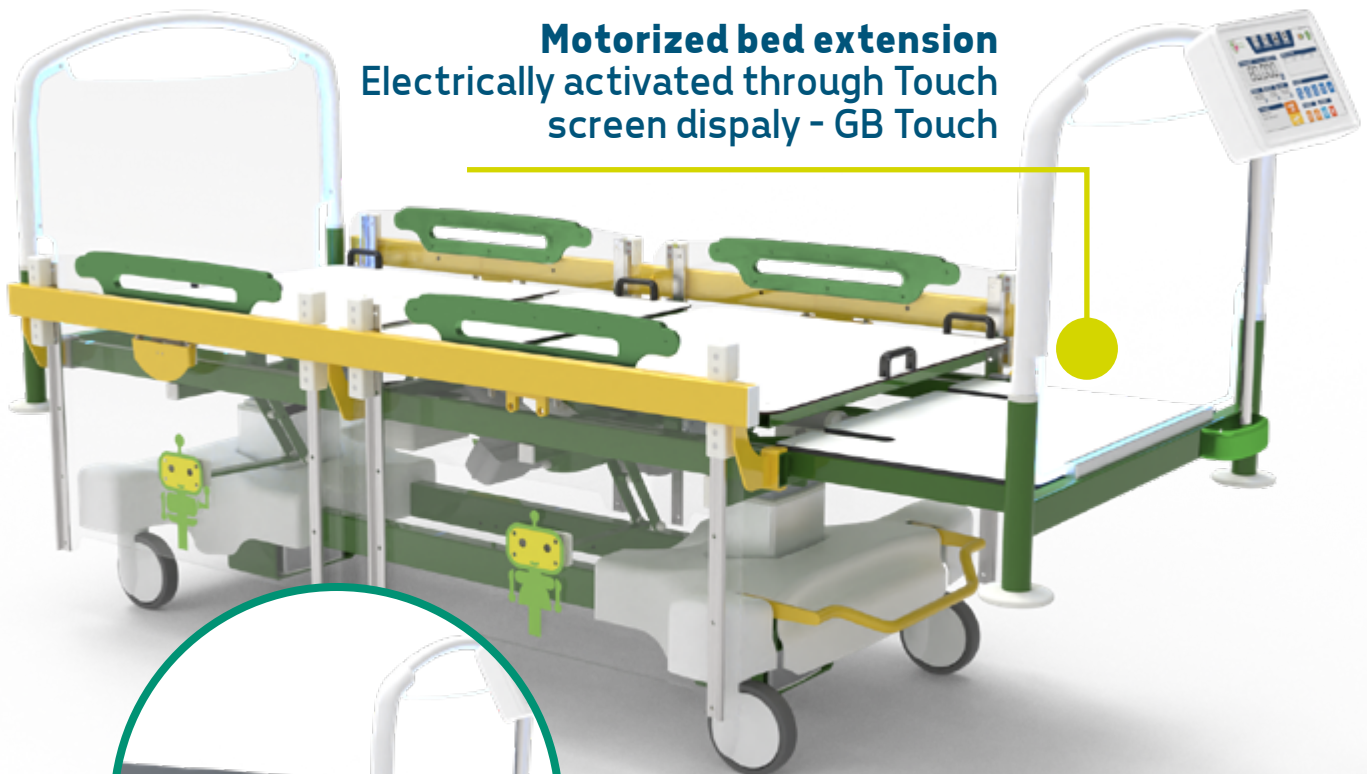




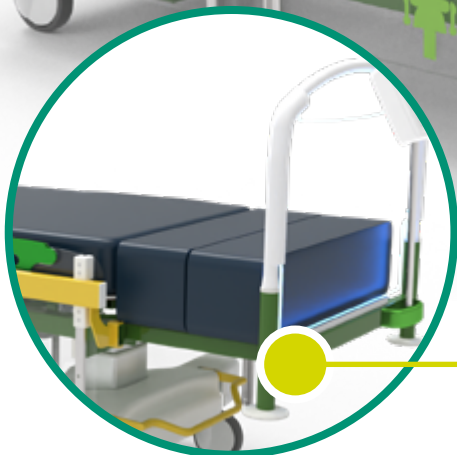
Movements

Motorized bed extension

To be able to accommodate larger patients, simply operate the motorised bed extension which increases the length of the table top by up to + 400 mm. The movement is adjusted using the buttons on the GB Touch display/console. Equipment code AC61/4.



Motorized bed extension
Electrically activated through Touch screen display - GB Touch



Additional mattresses
The equipment includes 2 additional 200 mm mattresses



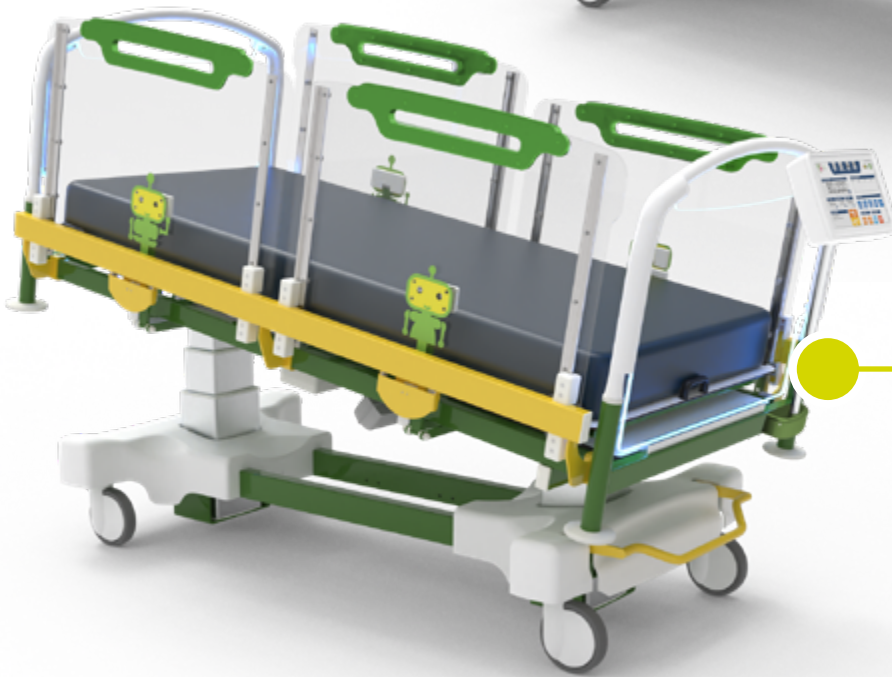
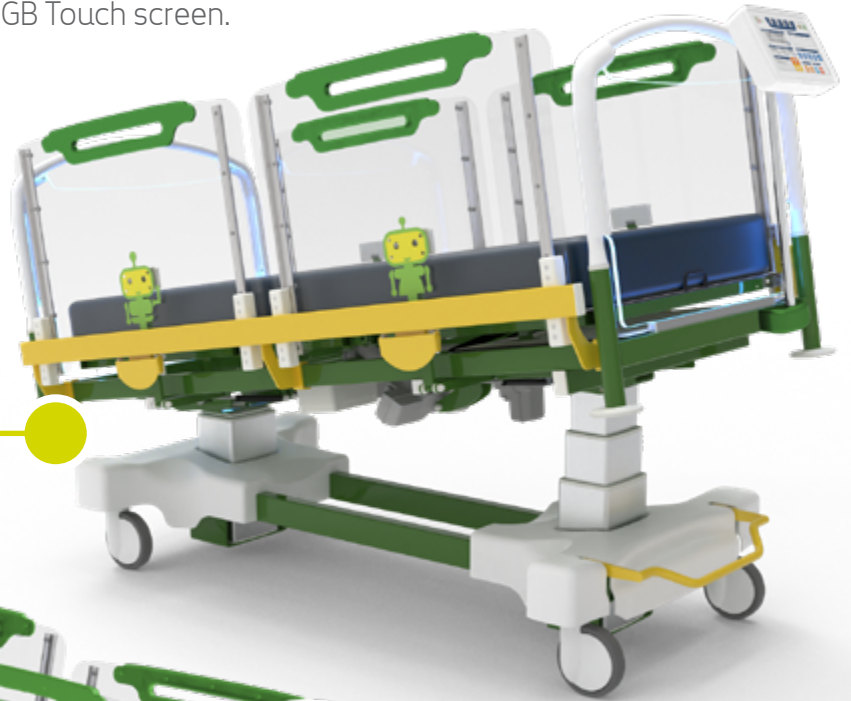


Movements

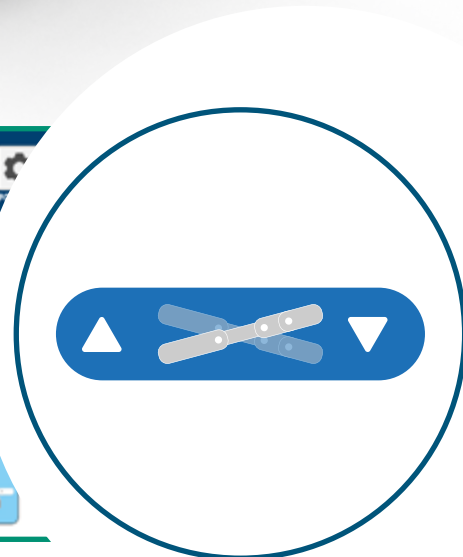
Trendelenburg and Reverse Trendelenburg

Trendelenburg and Reverse Trendelenburg are achievable by pushing on the dedicated push-buttons located on the display - GB Touch screen.

Trendelenburg



Reverse Trendelenburg

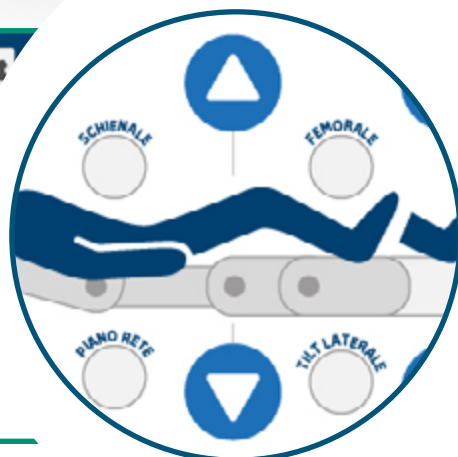




Movements

Adjustable height

The paediatric bed is height adjustable. Two motorized telescopic columns, with a rectangular section can be activated through the display - GB Touch screen, allowing to adjust the height of the top up to + 400 mm.

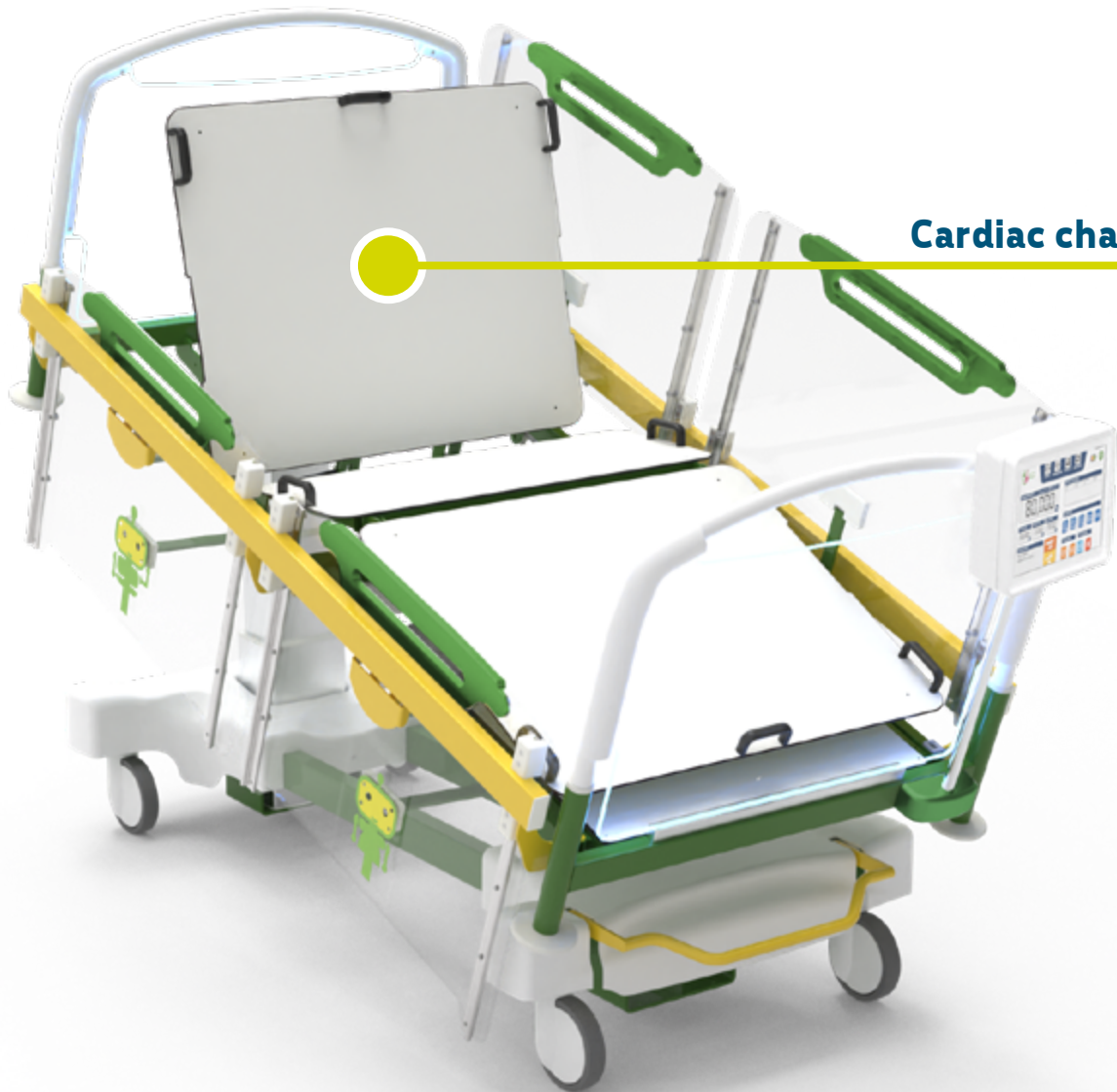




Movements

Cardiac chair

The bed can achieve the “cardiac chair” position. Also in this case the backrest section performs automatic roto-translation. The function is memorized and controlled via the GB Touch display console. Equipment code AC62.



Cardiac chair





GB Touch

Scale display / Control panel

The pediatric bed is equipped with a 10.1" HD Touch Screen Display with a 160° visual angle to manage all the **movements** of the device.



Features

- Switch-on via Soft Touch Button
- Movements management
- Low voltage power supply
- Indicator box in plastic material with IP65 insulation
- Battery status indicator
- Display lighting control
- Screen saver
- Night mode
- Smart functions
- Complete control via GBSmart android/ios/windows application
- Connection to digital devices via RS485 port
- Scheduled maintenance setting
- Language setting: Italian - English - French - Spanish - German
- Digital protection against accidental or unwanted access
- Shoulder lighting management (only when accessory AC185 has been equipped on the bed)



Other features

- Frame painted with thermosetting epoxy powders
- Bed base made of 3-section in HPL with double articulation
- Thermoformed ABS cover to protect the base
- Easily removable transparent (equipment code AC65/8).
- Transparent side rails with cushioned descent and assisted raise, with release lever and integrated handle for movement (equipment code AC71/2).
- Motorized backrest section.
- Motorized femoral section.
- Servo-assisted leg section by gas springs, synchronized with the movement of the femoral section and manually adjustable
- Adjustable height, motorized Trendelenburg and reverse Trendelenburg through electric columns
- Cardiological position with roto-translation of the backrest (equipment code AC62).
- Motorized bed extender with up to +400 mm (equipment code AC61/4).
- 2 additional mattresses for the cubicle (equipment code AC61/2).
- Anti-crushing and anti-shear low voltage electric motors.
- Swivel, stainless, non-marking wheels, diameter 150 mm with centralized braking system and directional system. Activated by foot pedal (equipment code AC7L/2G).
- Quick release of the backrest for easy CPR (equipment code AC8L).
- Battery box - to power the device in case of power failure (equipment code AC17L).
- No.4 bumpers.
- Cable support (equipment code AC50L/1).
- Equipotential node.
- Predisposition for IV pole (equipment code AC4L/S).
- Bilateral bag holder hooks (equipment code AC3L).
- Clearance allows lifts or hoists fitting.
- Touch screen display for managing movements (equipment code AC167).
- Additional 10-key push-button panel. The hand control is easy to use as it is designed with large relief pictograms and is also suitable for visually impaired patients. IP66 insulation.
- For patient safety, the hand control is equipped with a key for control inhibition (equipment code AC34L).



Do you want to improve the device?

Scan the QR Code to find out all the available accessories listed on our catalogue.

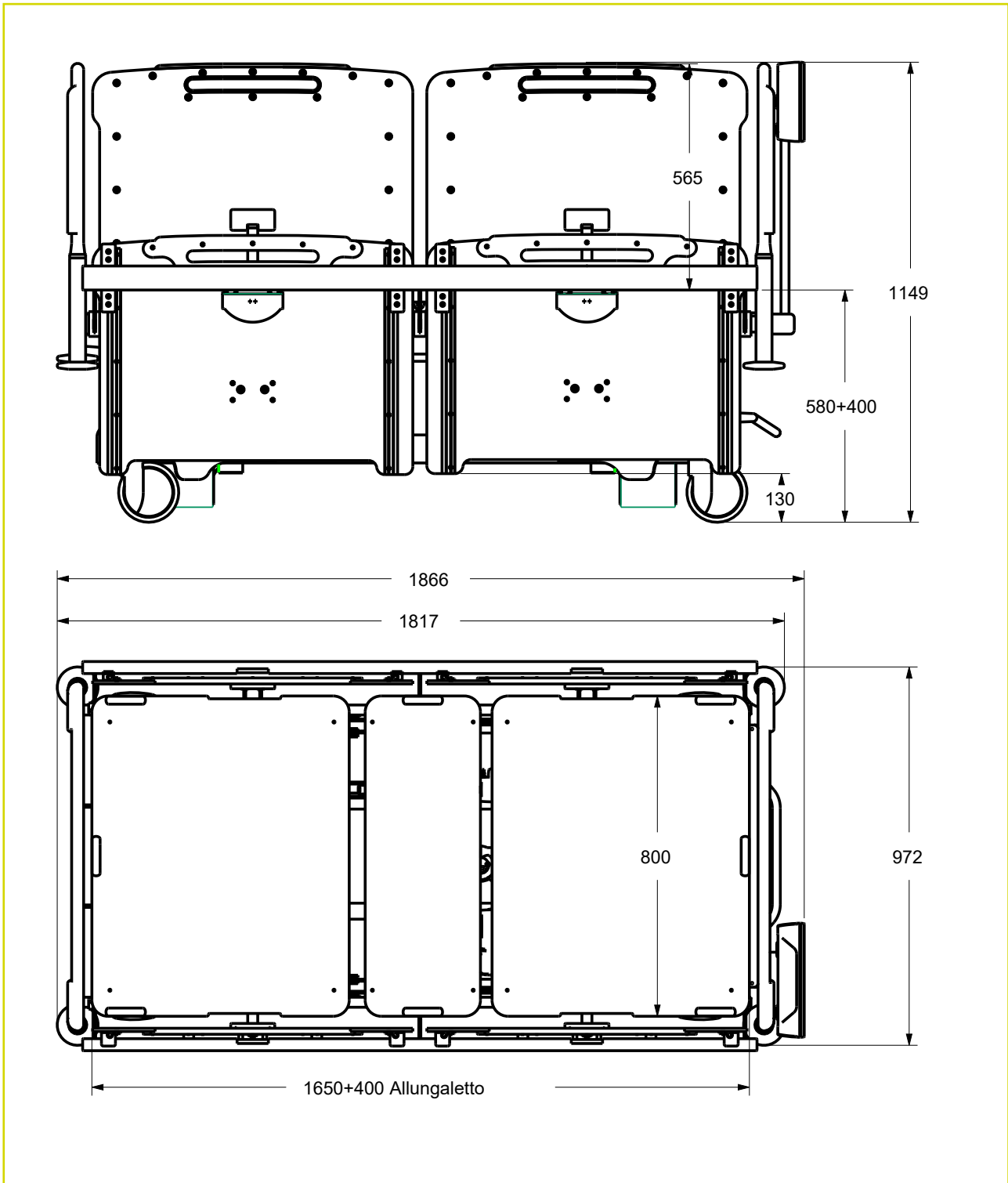


Do you want to choose the colour of the frame?

Scan the QR Code to find out all the colours available on our colour chart.



Dimensions



Power cord type



Type F - Schuko



Type L - 16A



Type I - Australia



Type B - Canada and USA



Type B - Canada and USA





Technical sheet

Codice CND / EMDN	V0806010701
Codice GMDN	34870
N. progressivo/R	2441310/R
UDI-DI di Base	805771740LETNC
ID Product	GB0021.MP Painted steel
Inteded use	Multifunctional bed
Manufacturer	GARDHEN BILANCE SRL
Spare parts availability	10 years
Overall weight	168 kg
Controls	Display touch screen
Battery	10 cycles of autonomy
Power	Multivoltage 100-240 Vac 50/60 Hz
Main cable	Schuko or other upon request
Wheels	No. 4 swiveling and stainless 150 mm with braking system
Electric motors	Low voltage (24 V)
Max electrical input Max	460 VA
Insulation	IP44
Max load	200 kg
Safety working load	235 kg
Display box	Display box in plastic material with IP65 insulation
Converter	24bit
Display	Touch Screen
Power display	24 Vdc
Alarms	Brake disconnection alarm / Brake disconnection luminous alarm / Battery status indicator / Faults indicator / Maintenance deadline alarm
Data transmission	RS232 serial standard - usb - ethernet
I/O (opz.)	4 output
Antiblack-out function	Extra battery + software
Conformity	Regulation UE 2017/745

Mosè Mini

Paediatric bed



LIGHT EFFECT



Gardhen Bilance S.r.l.

Via G. Luraghi c/o Consorzio Il Sole - lotto S -
80038 Pomigliano d'Arco (NA) - Italy

Tel. +39.081.8692160 pbx - Fax +39.081.8692460

E-mail: info@gardhenbilance.it

PEC: gardhenbilance@pec.it

Pictures contained in this brochure is for illustrative purpose only. The manufacturer reserves the right to modify the projects without notice. For accessories identification please refer to the accessory catalogue or commercial offer. When data are different please refer to commercial offer.
Dep. EN_148 rev. 12/06/2024